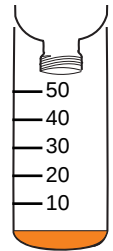
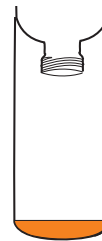
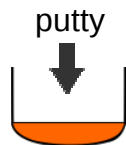
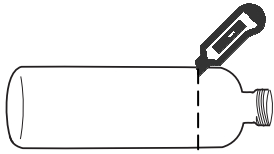


Measuring Rainfall: Using Standard Gauges

Activity (extension for older students)

Once it has been established that the measuring container has to have the same sized opening as the base and have straight sides, then it is possible to make your own rain gauge.



1. Take a drink bottle and cut the top piece off.

Keep the top for later.

2. Fill the

It just needs
will give an

3. Making

Invert the top
Whilst it is n

4. Accur

Use a metal
rulers for thi

5. Place

Secure the gauge in place to make sure it cannot blow over.

Place in an open space away from buildings and trees that might affect rainfall.

6. Compare this design to a scientific rain gauge.

These gauges have a funnel leading into a smaller container, one that has been calibrated so that it shows larger measures for the first few mm. It will measure accurate readings for light rainfall.

The outer container is used to catch any rainfall that is greater than 25mm.

Record the rainfall in millimetres.



This is a

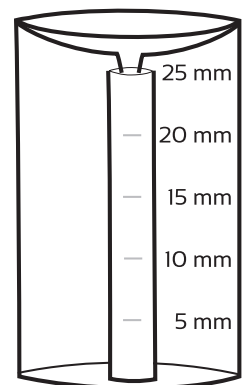
PREVIEW

Subscribe today for a whole
year's access to ALL our
worksheets and videos!



Already a subscriber? Log in to download the full version of this worksheet.

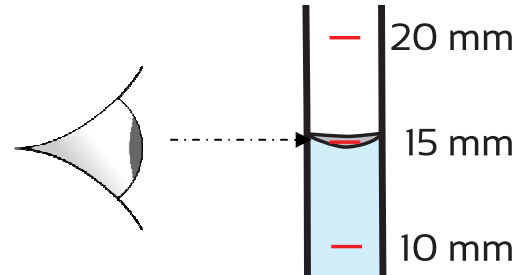
wooden



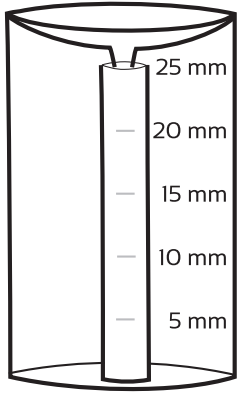
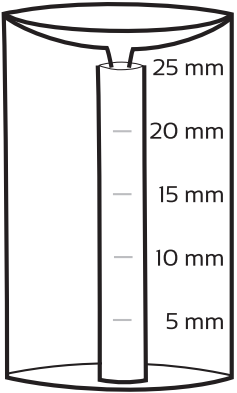
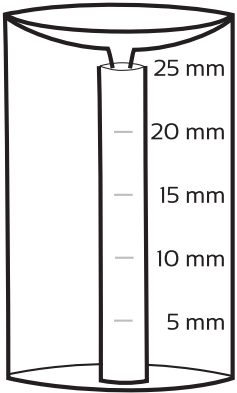
Reading a Rain Gauge

Demonstrate:

- Reading a rain gauge requires reading the gauge at eye level.
- Reading the water at the middle of the water line (not the top or bottom due to the water pulling upwards at the edges - meniscus).
- Estimate the measure if it is between the 5 mm markers.



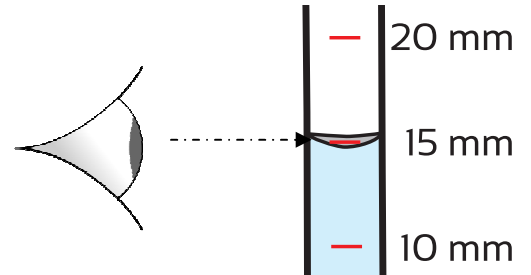
	 <p>PROFESSOR PETE'S CLASSROOM</p> <p>This is a PREVIEW</p> <p>Subscribe today for a whole year's access to ALL our worksheets and videos!</p> <p>Already a subscriber? Log in to download the full version of this worksheet.</p>	
<p>Write the ra</p>		

		
<p>Draw the rain in the gauge:</p> <p>22 mm</p>	<p>11 mm</p>	<p>2 mm</p>

Reading a Rain Gauge

Demonstrate:

- Reading a rain gauge requires reading the gauge at eye level.
- Reading the water at the middle of the water line (not the top or bottom due to the water pulling upwards at the edges - meniscus).
- Estimate the measure if it is between the 5 mm markers.





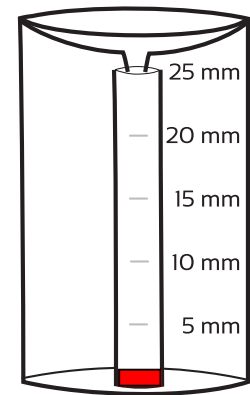
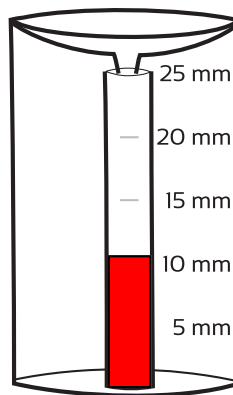
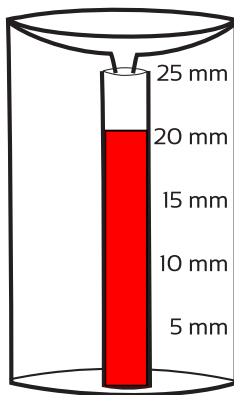
This is a
PREVIEW
Subscribe today for a whole
year's access to ALL our
worksheets and videos!



10 mm
5 mm

Already a subscriber? Log in to download the full version of this worksheet.

Write the ra



Draw the rain in the gauge:

22 mm

11 mm

2 mm