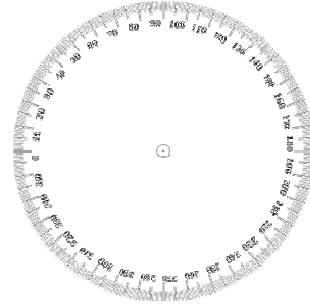


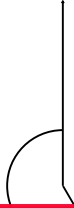


NAME: _____

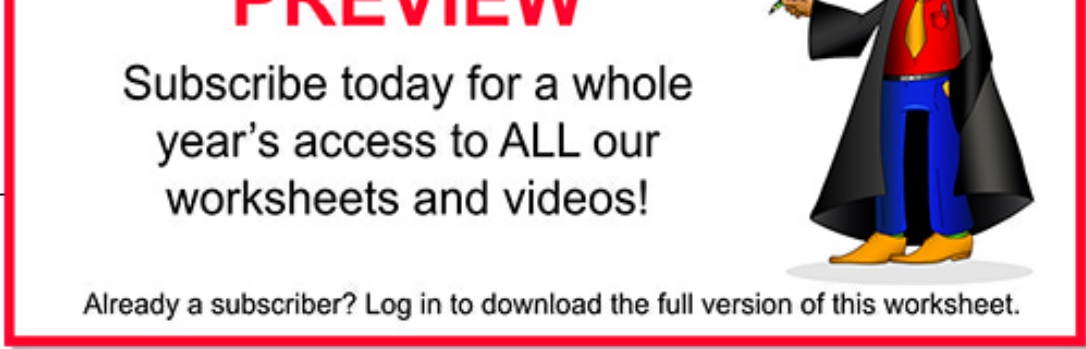
Measuring and Drawing Angles to 180°: 5 [A]



When using a protractor, remember to place the middle of your protractor directly on the vertex of the angle, and then line up the 0° point on the outer edge along one of the rays (or arms) of the angle. Take care that you read the numbers that start from the 0° and go forwards, not backwards around from 360°.

Use your protractor to measure these angles. Write the degrees underneath.

- 1) 
- 2) 
- 3) 

4) 

Draw your own angles and have a partner check them.

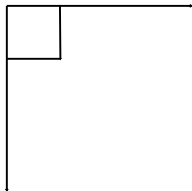
- 7) 190°
- 8) 270°

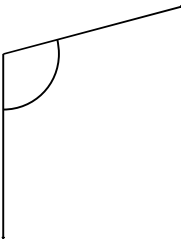
NAME: _____

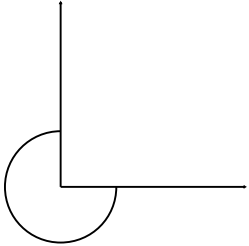
Measuring and Drawing Angles to 180°: 5 [B]




Use your protractor to measure these angles. Write the degrees underneath.

1)  _____

2)  _____

3)  _____

4) 

Draw your own

7) 210°

9) 5°

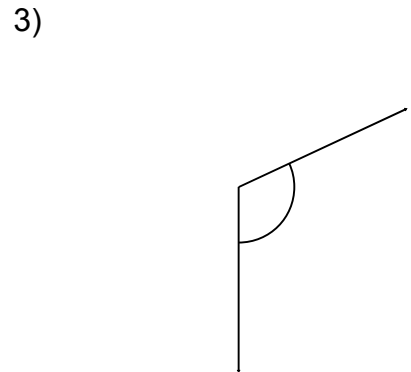
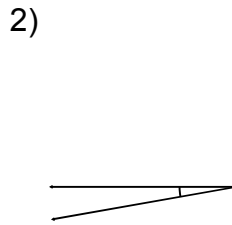
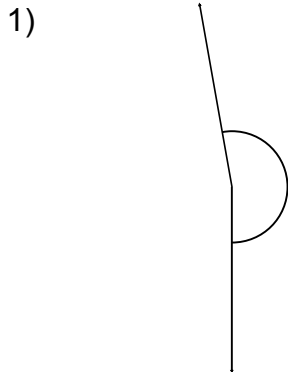
10) 205°

NAME: _____

Measuring and Drawing Angles to 180°: 5 [C]



Use your protractor to measure these angles. Write the degrees underneath.



4) _____



This is a

PREVIEW

Subscribe today for a whole
year's access to ALL our
worksheets and videos!



Already a subscriber? Log in to download the full version of this worksheet.

Draw your own

7) 225°

9) 15°

10) 95°