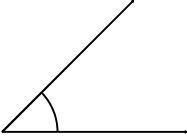
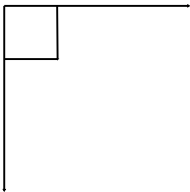
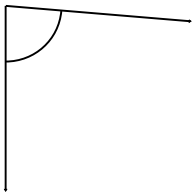
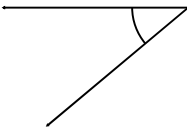




NAME: _____

Angles; Measuring and Drawing to 180°: 4 [B]



Use your protractor to measure these angles. Write the degrees underneath.

1) 	2) 	3) 
_____	_____	_____
4) 	5) 	6) 
_____	_____	_____

Draw your own angles and have a partner check them.


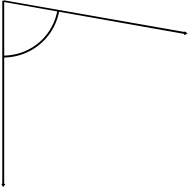
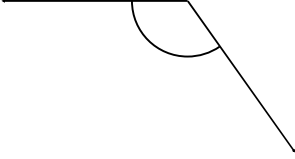
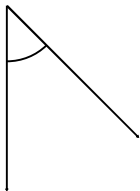
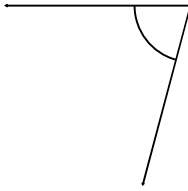
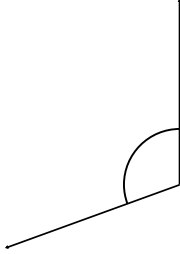
- | | |
|--------|---------|
| 7) 90° | 8) 180° |
| 9) 10° | 10) 70° |

NAME: _____

Angles; Measuring and Drawing to 180°: 4 [C]



Use your protractor to measure these angles. Write the degrees underneath.

1)	2)	3)
		
_____	_____	_____
4)	5)	6)
		
_____	_____	_____

Draw your own angles and have a partner check them.




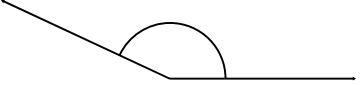
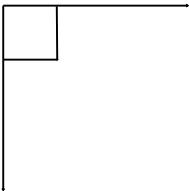
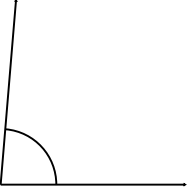
- | | |
|--------|---------|
| 7) 70° | 8) 110° |
| 9) 90° | 10) 45° |

NAME: _____

Angles; Measuring and Drawing to 180°: 4 [D]



Use your protractor to measure these angles. Write the degrees underneath.

1) 	2) 	3) 
_____	_____	_____
4) 	5) 	6) 
_____	_____	_____

Draw your own angles and have a partner check them.

7) 15°

8) 95°

9) 35°


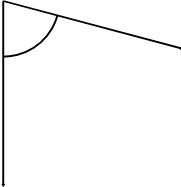
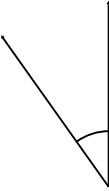
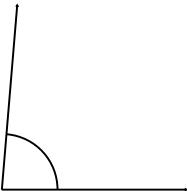

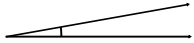
10) 175°

NAME: _____

Angles; Measuring and Drawing to 180°: 4 [E]



Use your protractor to measure these angles. Write the degrees underneath.

1)	2)	3)
		
_____	_____	_____
4)	5)	6)
		
_____	_____	_____

Draw your own angles and have a partner check them.

7) 5°

8) 65°

9) 85°

10) 160°

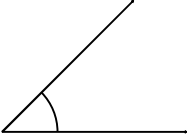
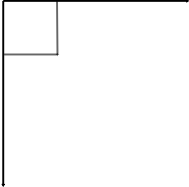
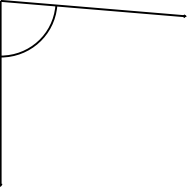
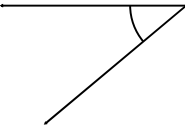


ANSWERS

NAME: _____

Angles; Measuring and Drawing to 180°: 4 [B]



Use your protractor to measure these angles. Write the degrees underneath.

1) 	2) 	3) 
<u>45°</u>	<u>Right</u>	<u>85°</u>
4) 	5) 	6) 
<u>40°</u>	<u>150°</u>	<u>160°</u>

Draw your own angles and have a partner check them.

7) 90°

8) 180°

9) 10°

10) 70°


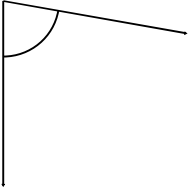
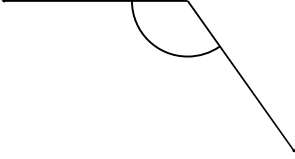
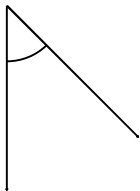
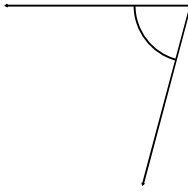
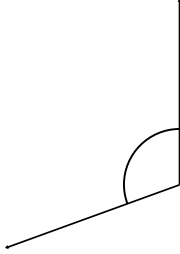
ANSWERS

NAME: _____

Angles; Measuring and Drawing to 180°: 4 [C]



Use your protractor to measure these angles. Write the degrees underneath.

1)	2)	3)
		
<u>15°</u>	<u>80°</u>	<u>125°</u>
4)	5)	6)
		
<u>45°</u>	<u>75°</u>	<u>110°</u>

Draw your own angles and have a partner check them.

7) 70°

8) 110°

9) 90°

10) 45°




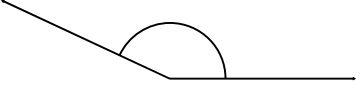
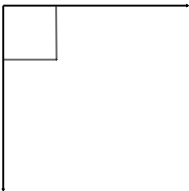
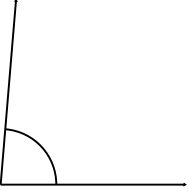
ANSWERS

NAME: _____

Angles; Measuring and Drawing to 180°: 4 [D]



Use your protractor to measure these angles. Write the degrees underneath.

1) 	2) 	3) 
<u>15°</u>	<u>175°</u>	<u>170°</u>
4) 	5) 	6) 
<u>155°</u>	<u>Right</u>	<u>85°</u>

Draw your own angles and have a partner check them.

7) 15°

8) 95°

9) 35°

10) 175°


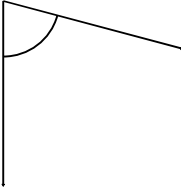
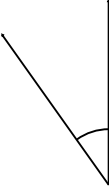
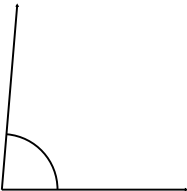

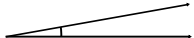
ANSWERS

NAME: _____

Angles; Measuring and Drawing to 180°: 4 [E]



Use your protractor to measure these angles. Write the degrees underneath.

1)	2)	3)
		
<u>165°</u>	<u>75°</u>	<u>35°</u>
4)	5)	6)
		
<u>85°</u>	<u>175°</u>	<u>10°</u>

Draw your own angles and have a partner check them.

7) 5°

8) 65°

9) 85°

10) 160°